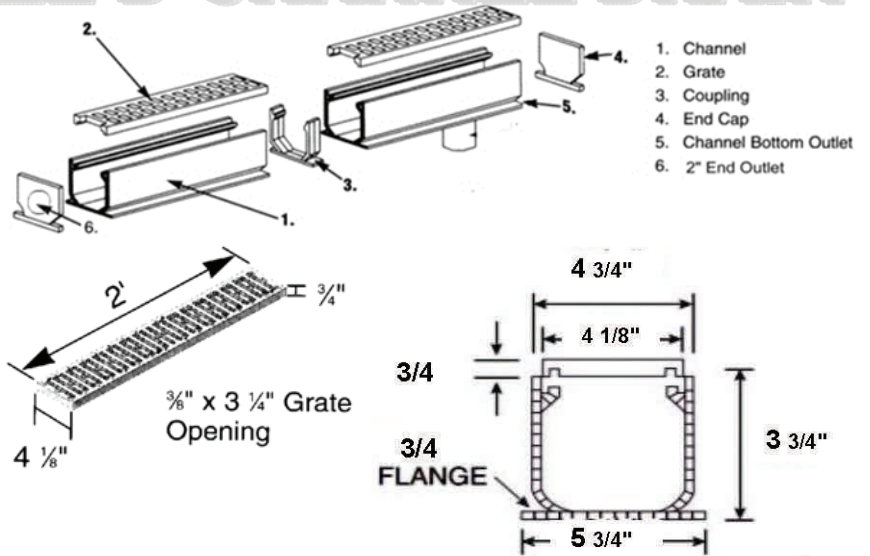
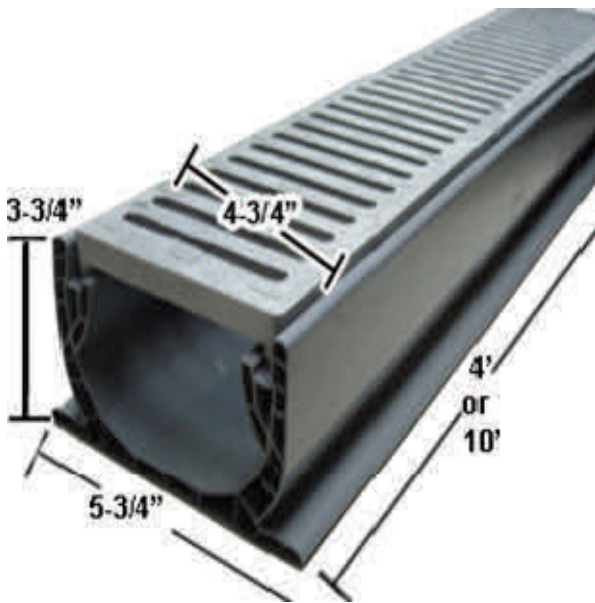


SPEE-D CHANNEL DRAIN



<p>CHANNEL DRAIN</p>	<p>4' LENGTH 10' LENGTH</p> <p>STAINLESS STEEL SCREWS: 4 screws per grate.</p>	<p>#110907 #110908 #110906</p>	<p>\$38.99 ea. \$96.99 \$0.25 ea.</p>
<p>CHANNEL GRATES</p>	<p>BLACK BRICK RED GRAY GREEN SAND WHITE</p>	<p>#110903 #110905 #110901 #110902 #110904 #110900</p>	<p>\$20.99 ea.</p>
<p>TEE FITTING</p>	<p>GRAY</p>	<p>#110916</p>	<p>\$38.99 ea.</p>
<p>90° BEND</p>	<p>GRAY</p>	<p>#110922</p>	<p>\$37.99 ea.</p>

SPEE-D CHANNEL DRAIN

<p>45° BEND</p> 	<p>GRAY</p>	<p>#110934</p>	<p>\$39.99 ea.</p>
<p>COUPLING</p> 		<p>#110913</p>	<p>\$4.99 ea.</p>
<p>2" END OUTLET</p> 		<p>#110909</p>	<p>\$5.79 ea.</p>
<p>3" & 4" BOTTOM OUTLET</p> 	<p>2' LENGTH Grate <u>NOT</u> included.</p>	<p>#110911</p>	<p>\$28.99 ea.</p>
<p>3" & 4" OFFSET END OUTLET</p> 	<p>Connects to 3" & 4" sewer drain pipe.</p>	<p>#110910</p>	<p>\$5.79 ea.</p>
<p>END CAP</p> 		<p>#110912</p>	<p>\$4.99 ea.</p>